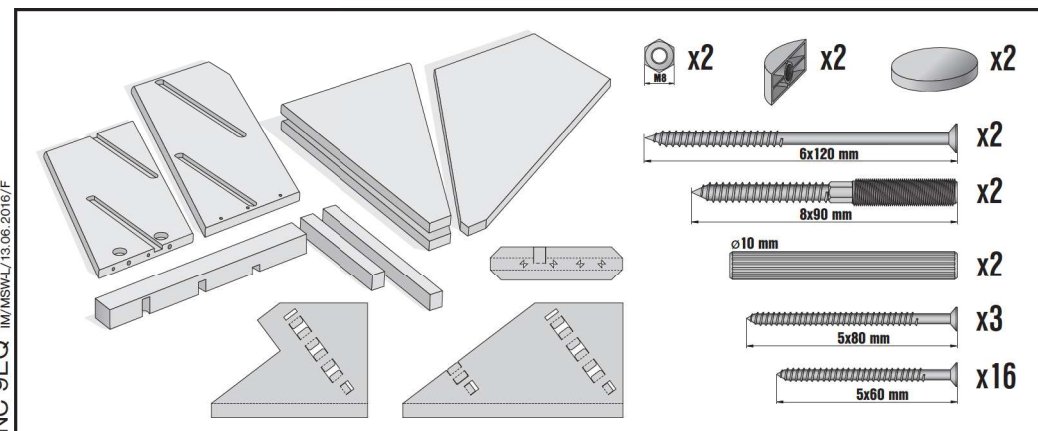
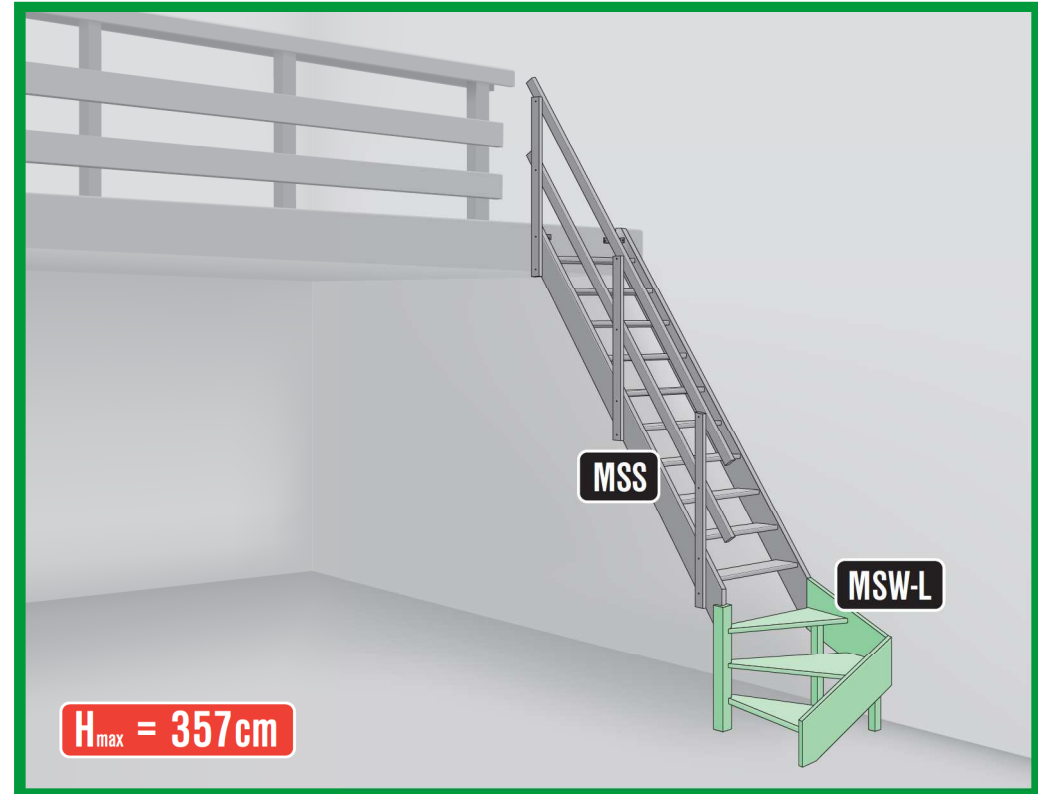
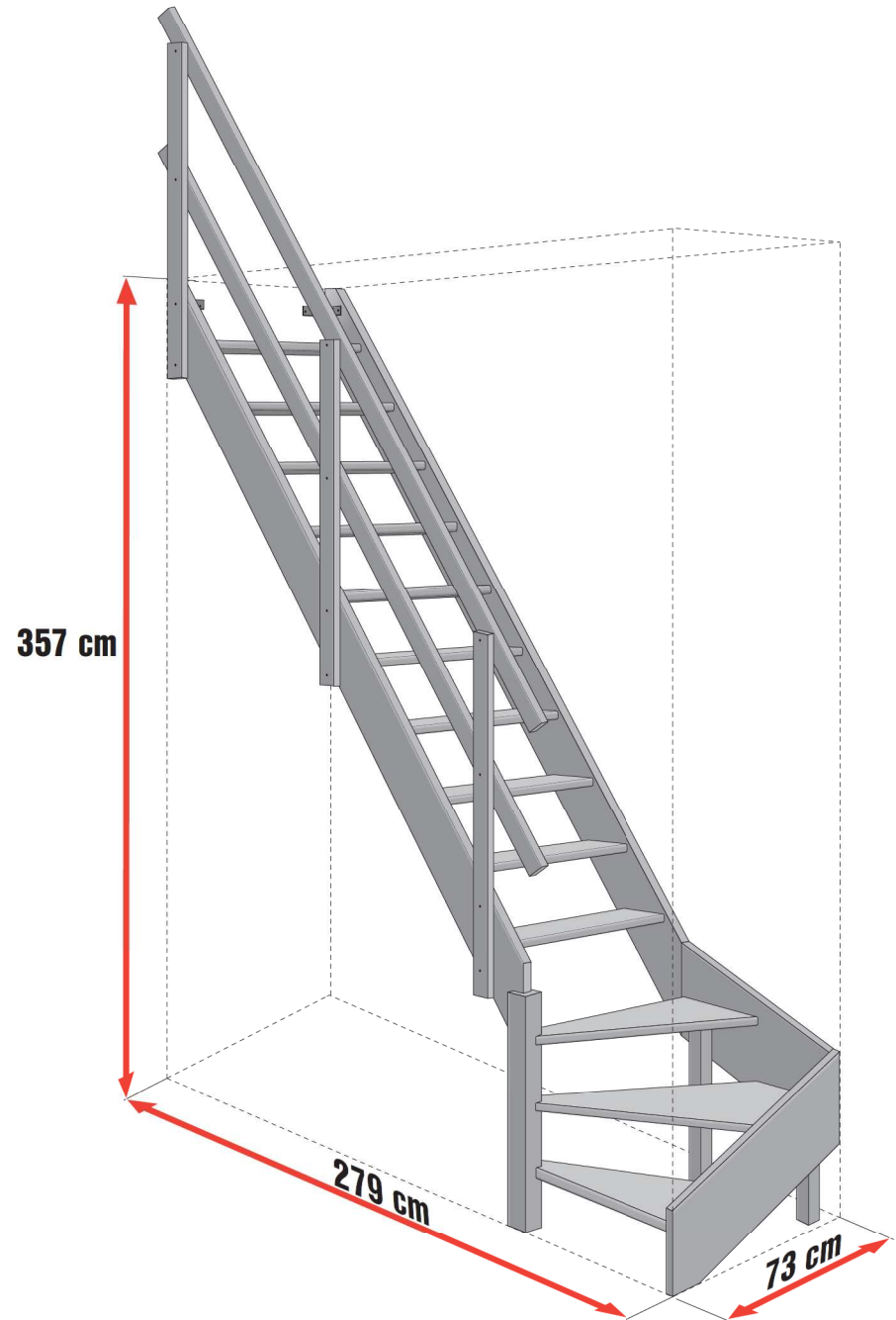
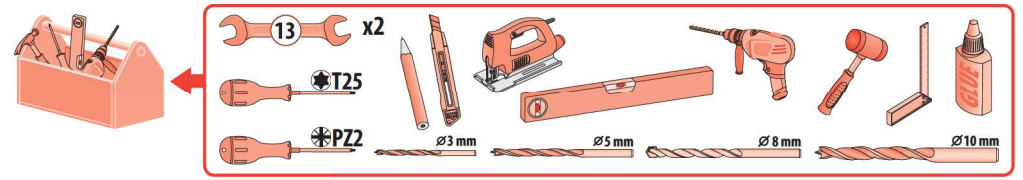
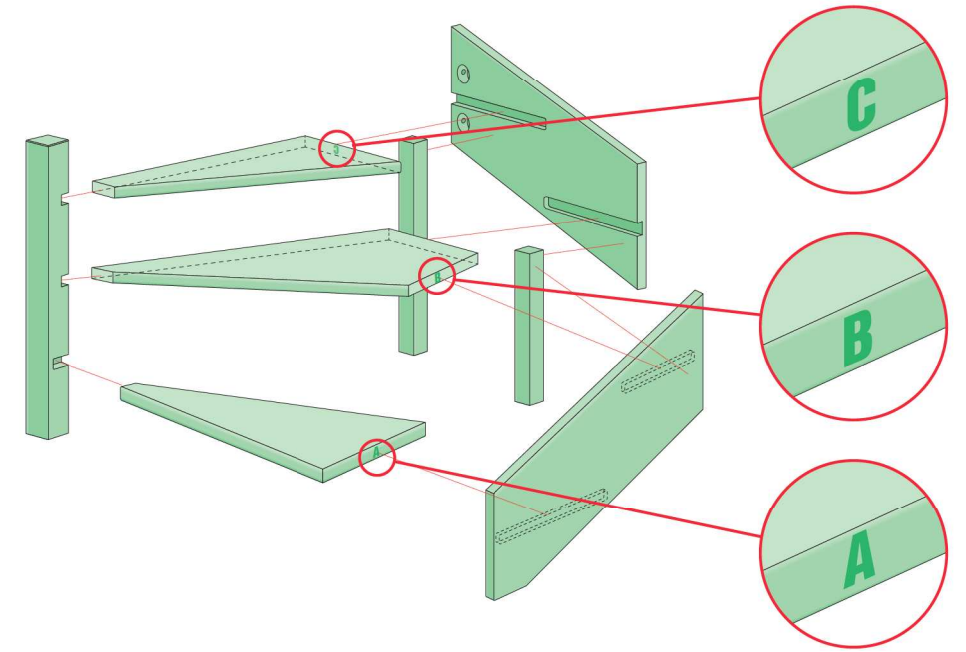
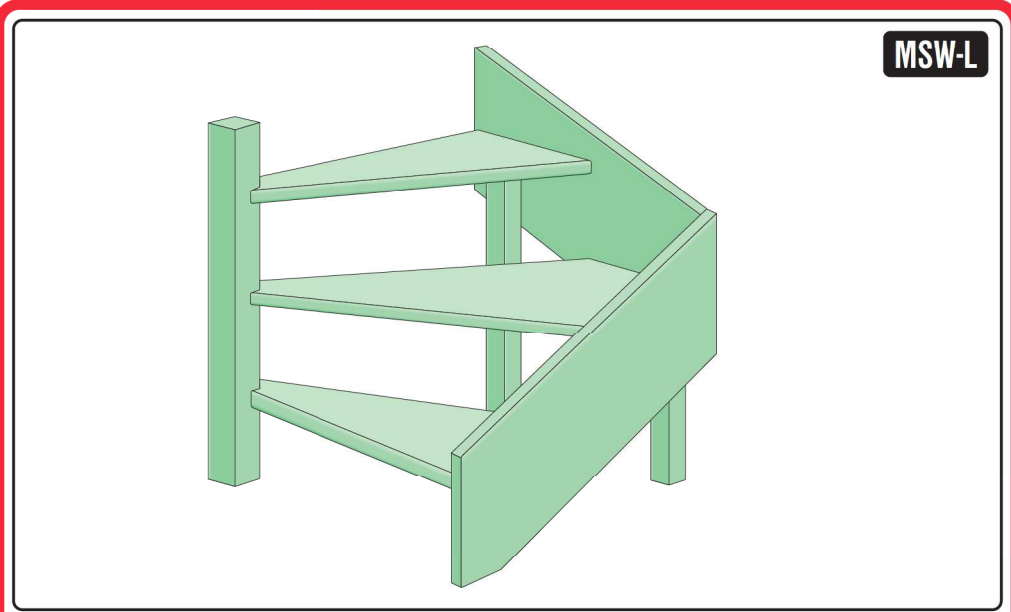


MSW-L + MSS

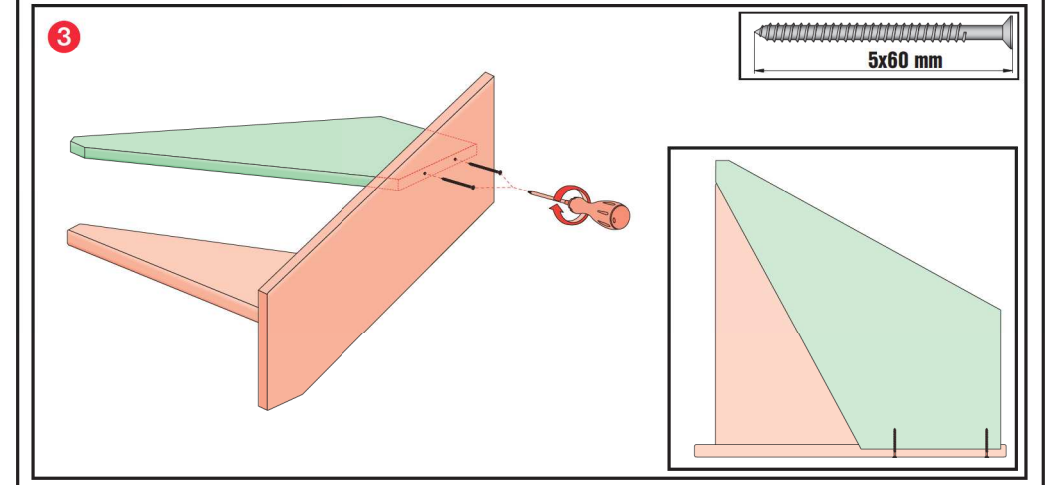
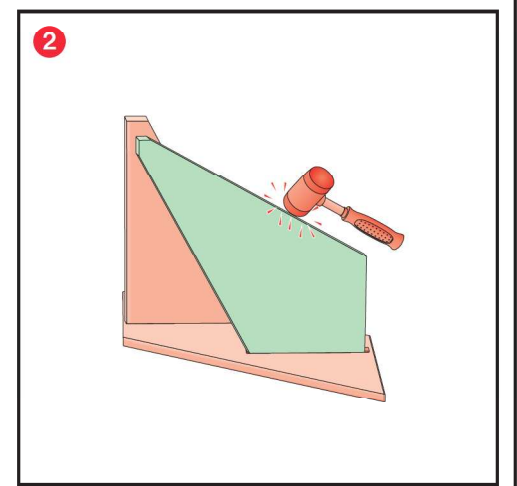
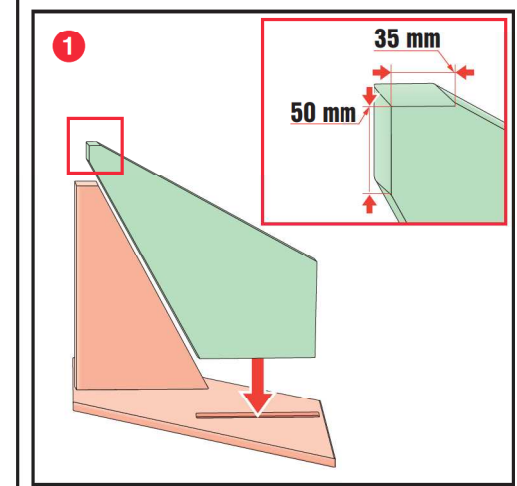
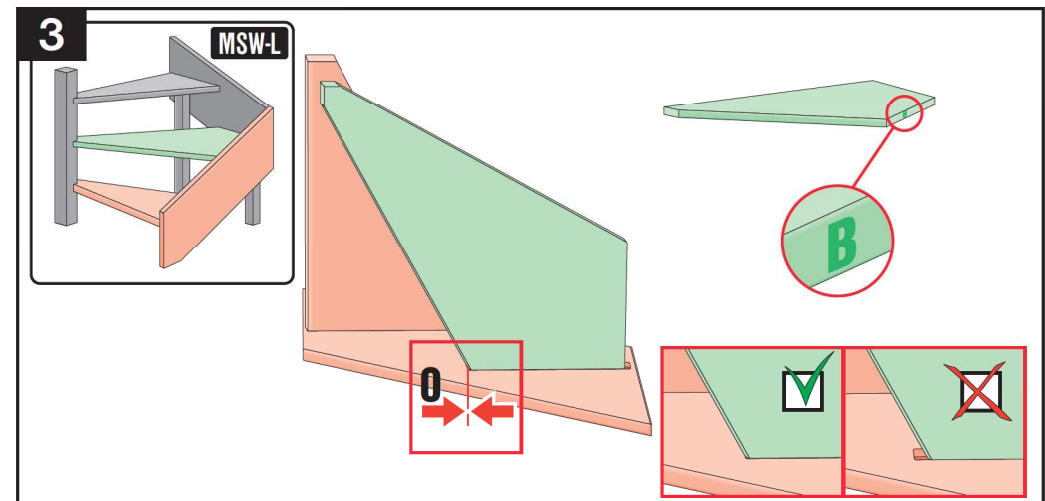
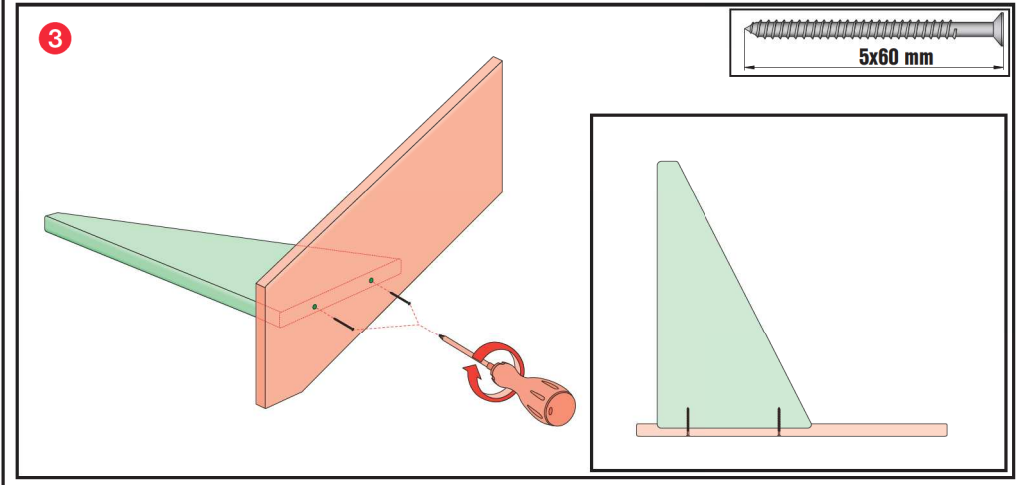
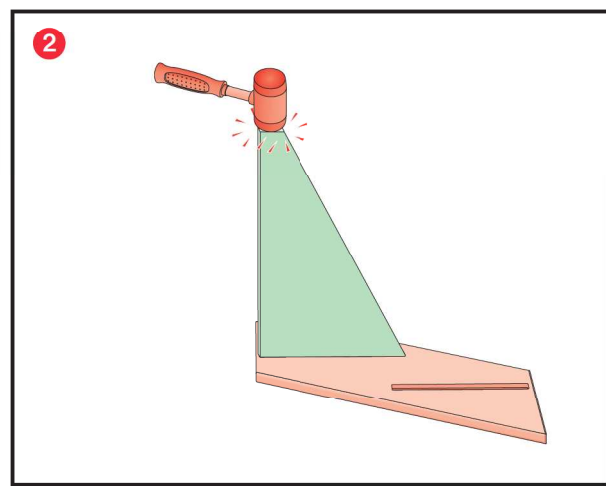
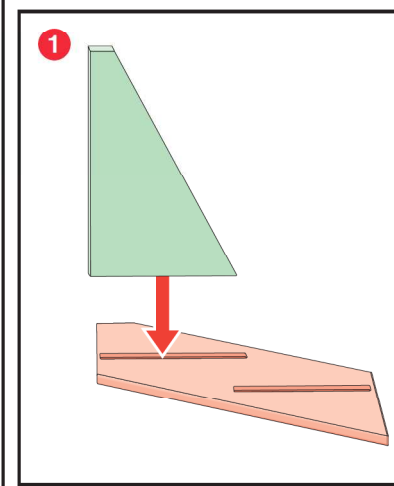
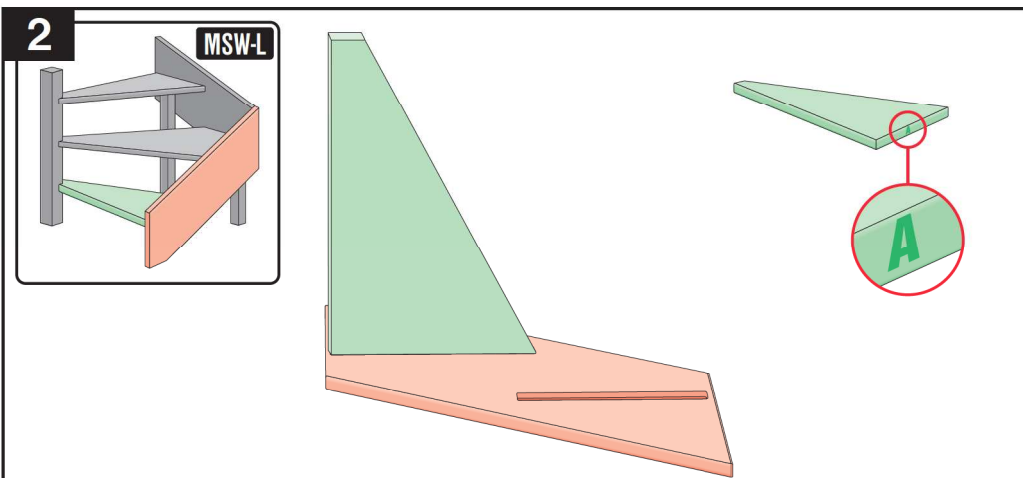




2

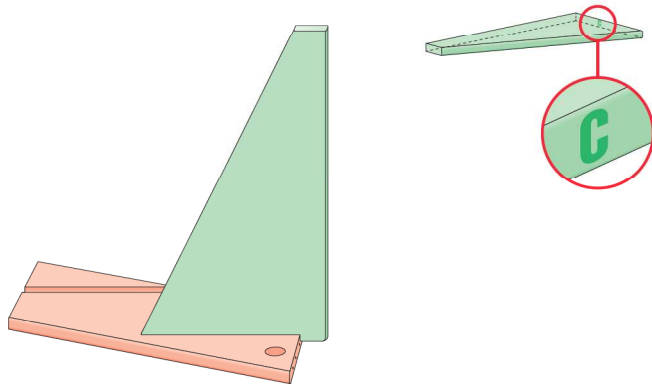
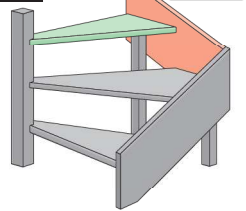


3

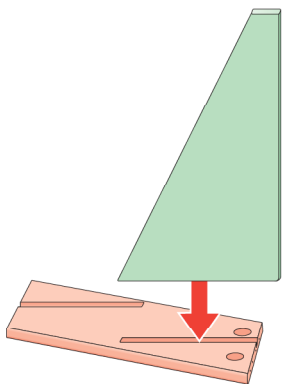


4

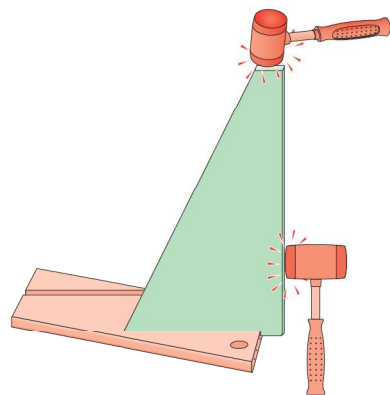
MSW-L



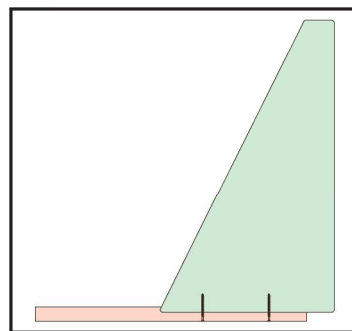
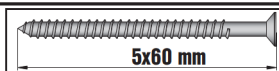
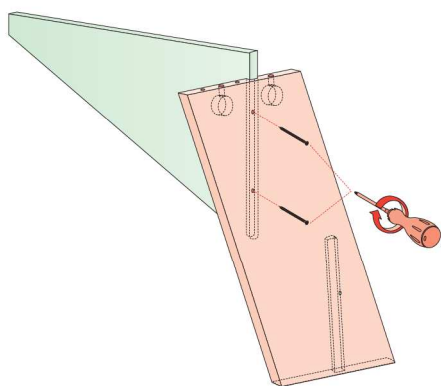
1



2



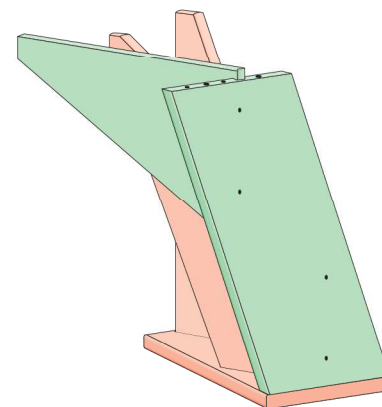
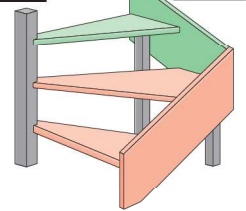
3



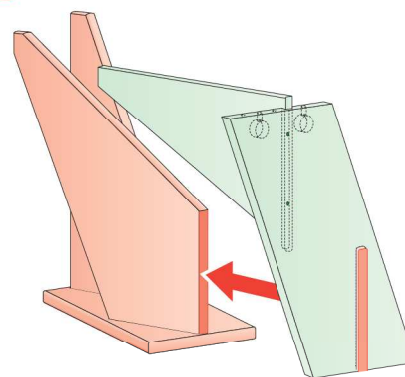
6

5

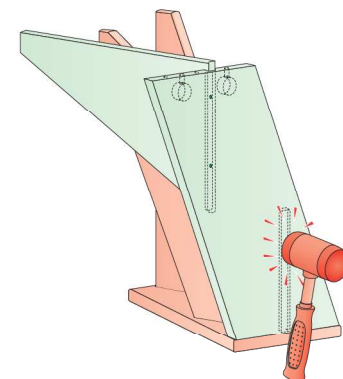
MSW-L



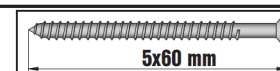
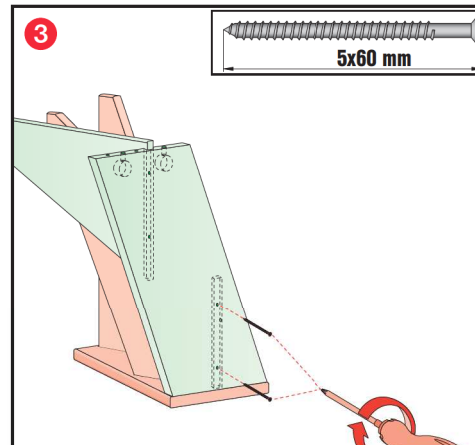
1



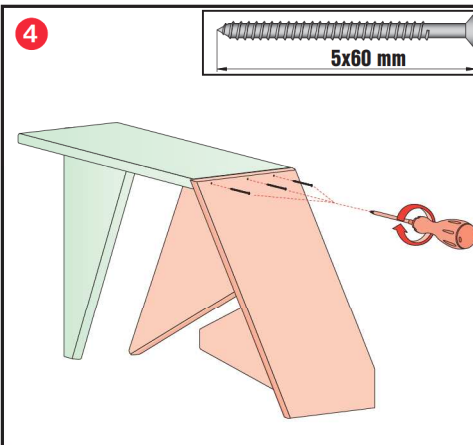
2



3



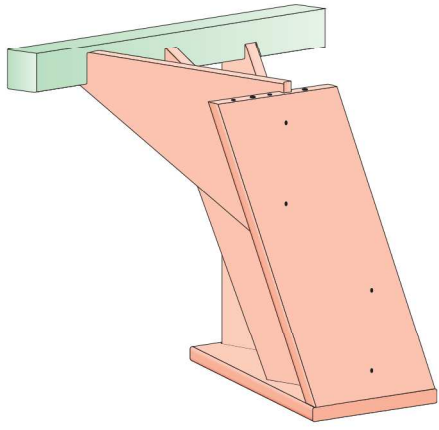
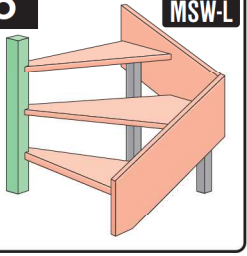
4



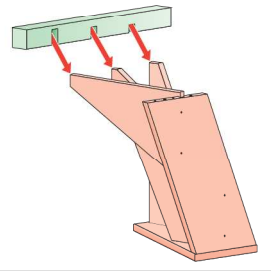
7

6

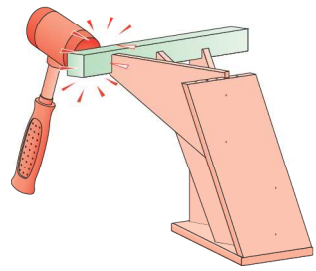
MSW-L



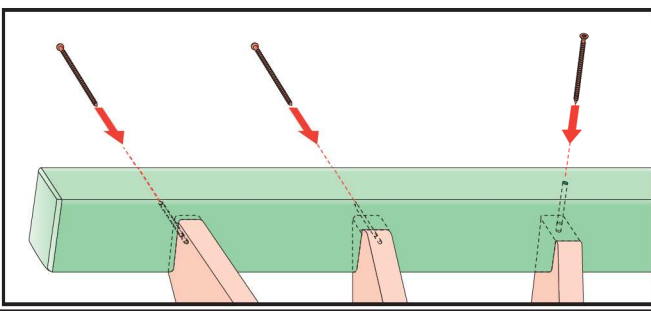
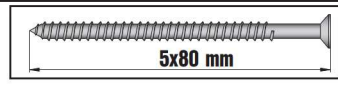
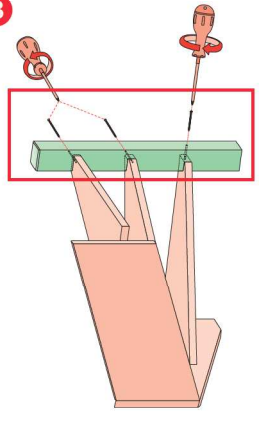
1



2



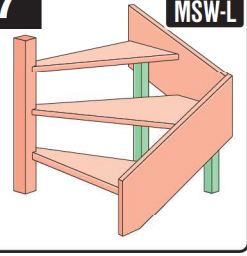
3



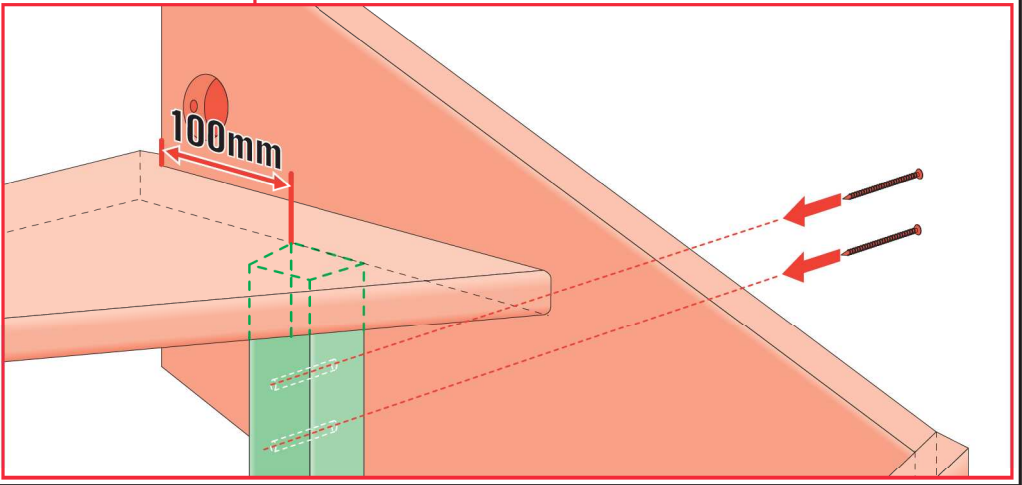
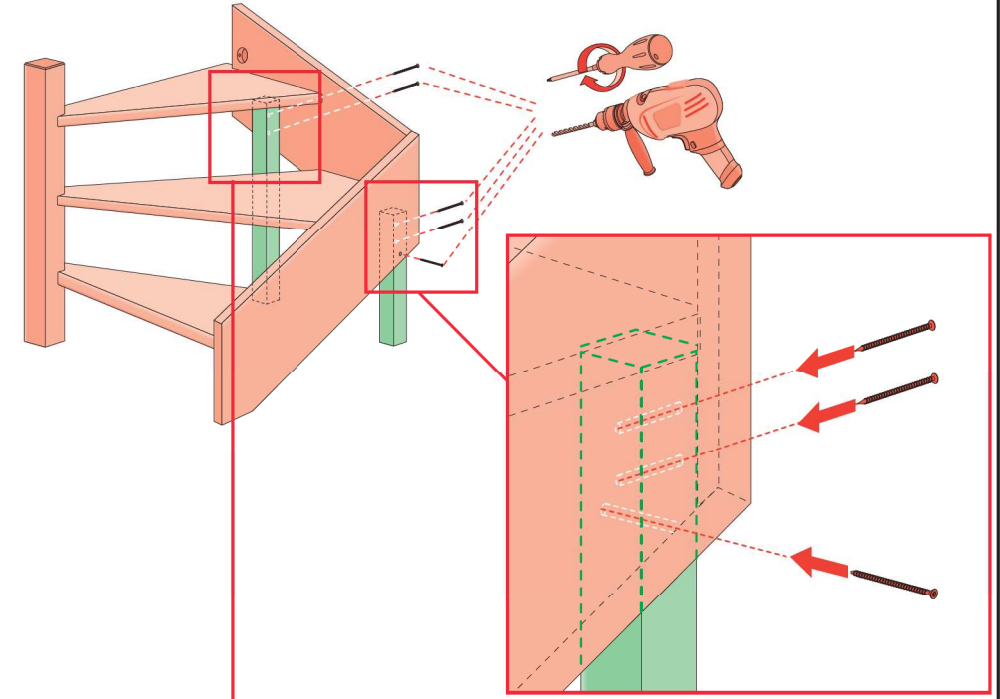
8

7

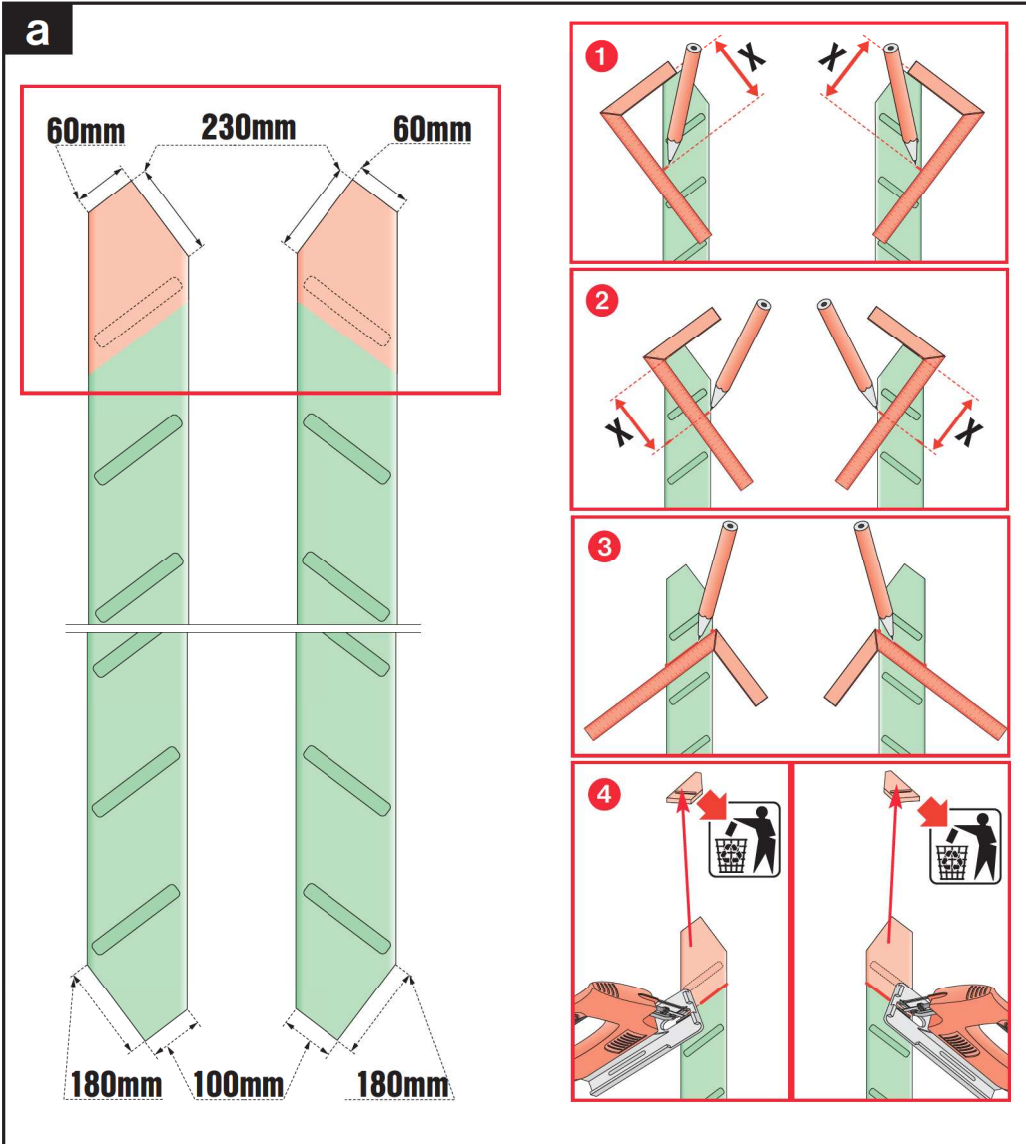
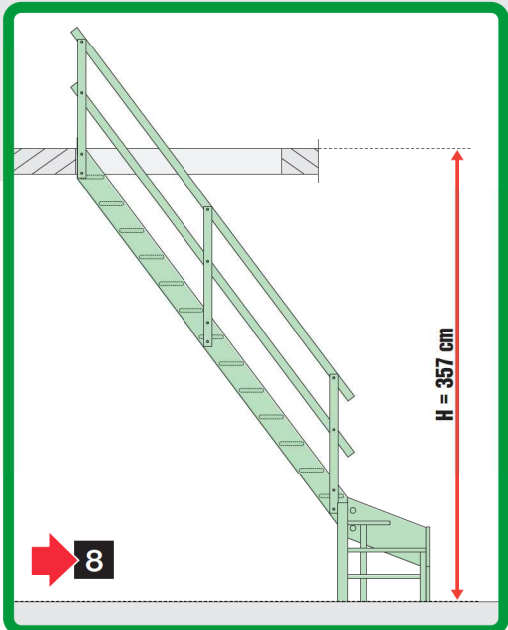
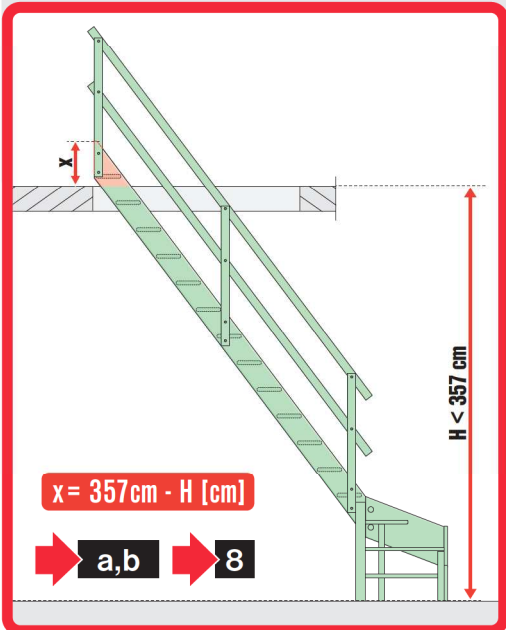
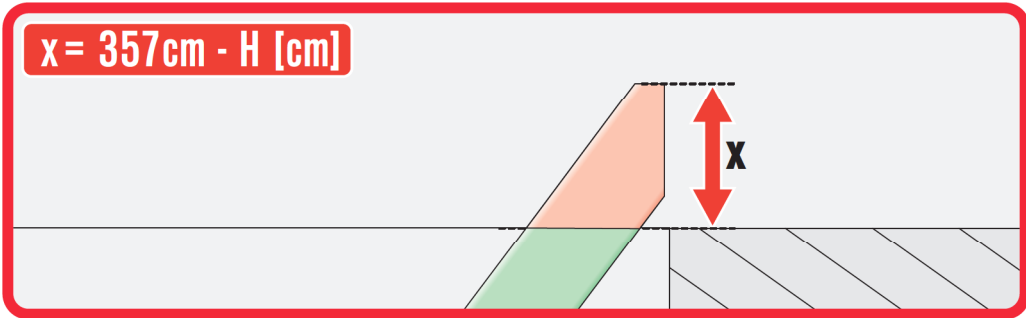
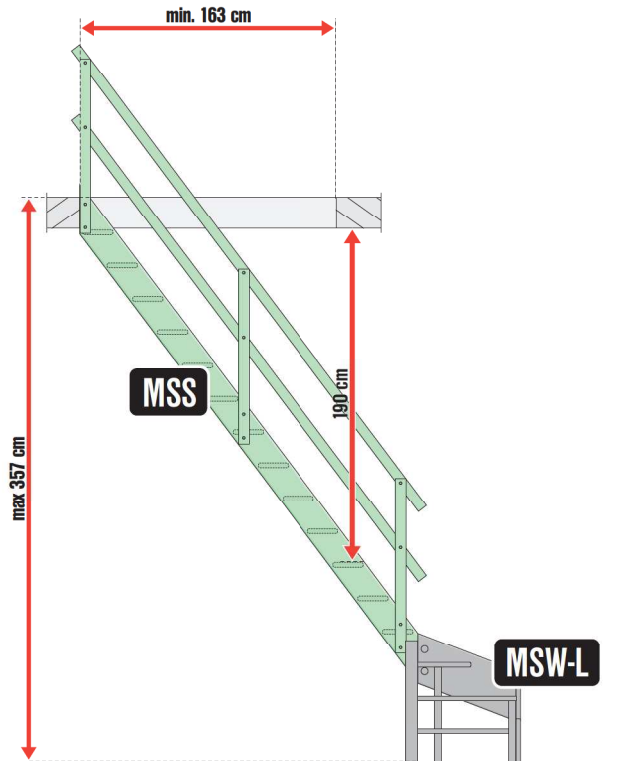
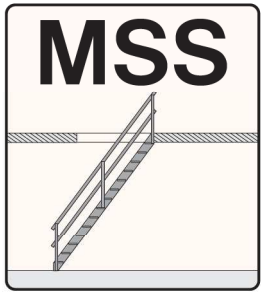
MSW-L

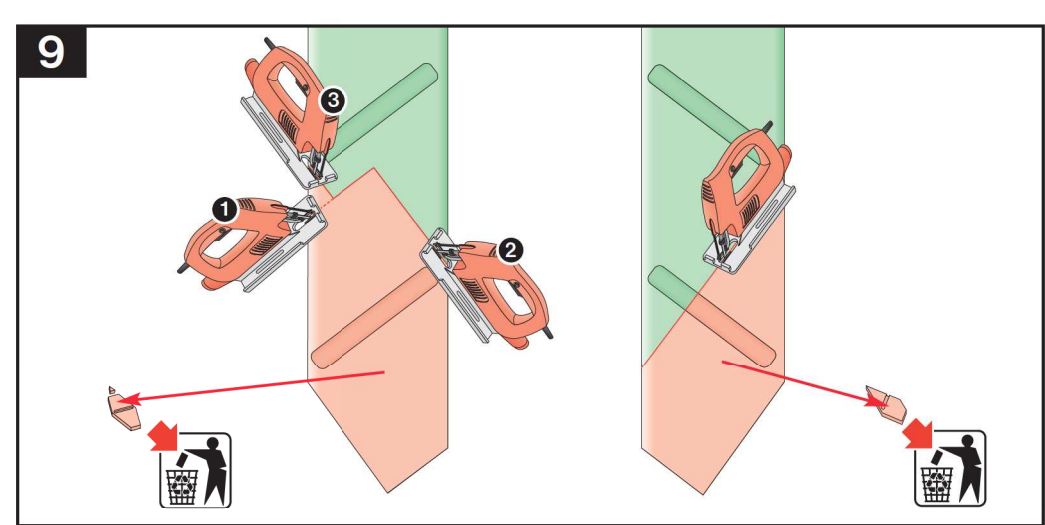
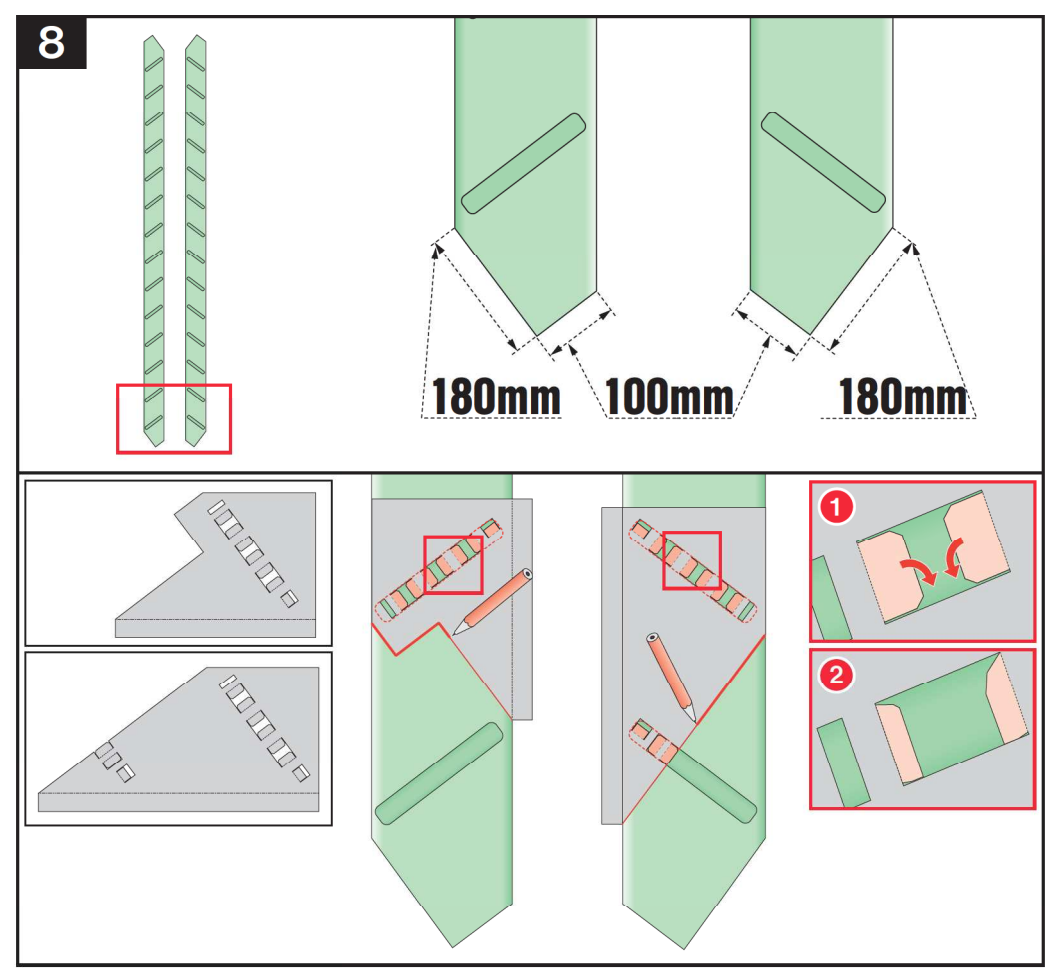
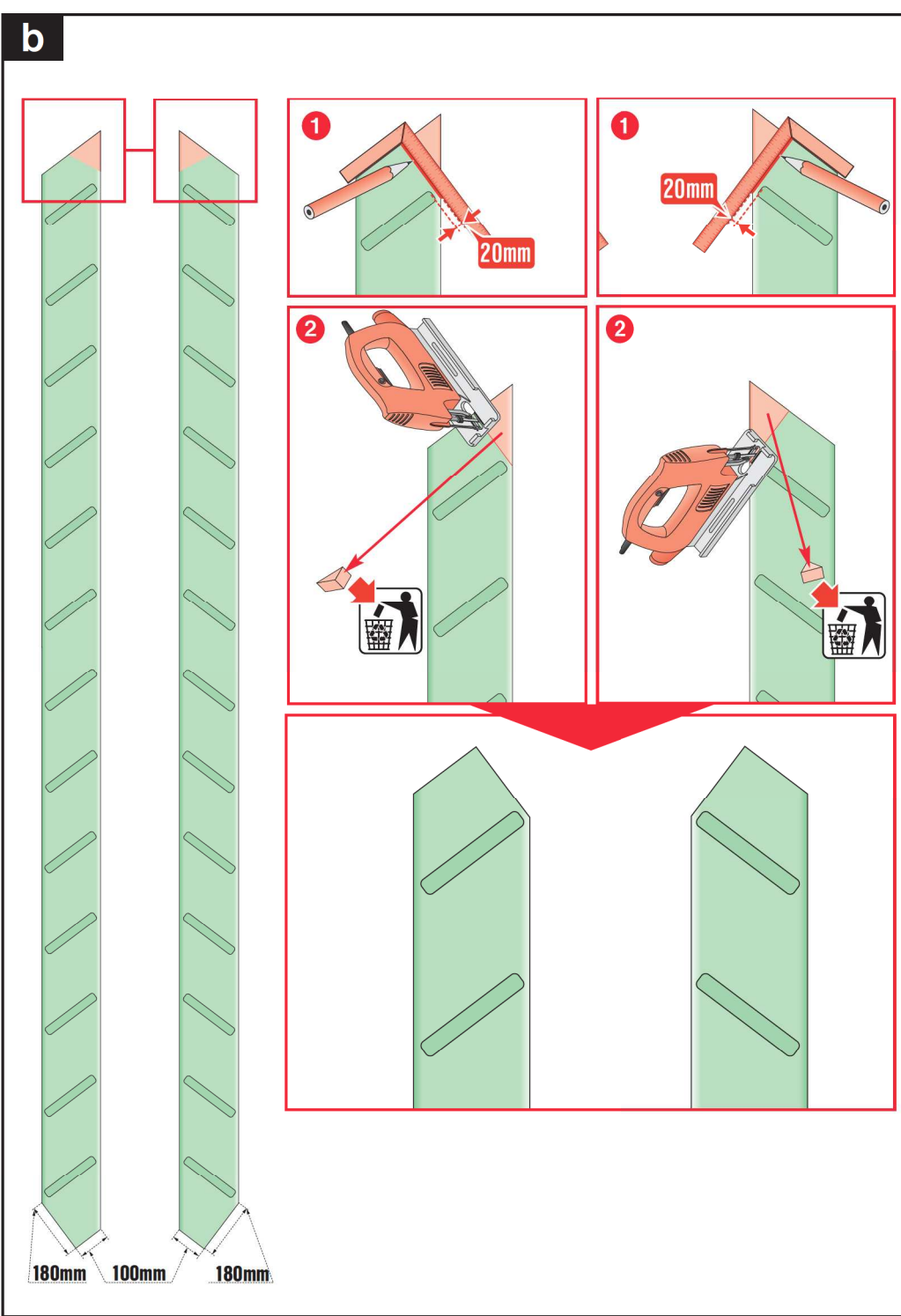


- 1 Ø 3 mm
- 2 5x60 mm



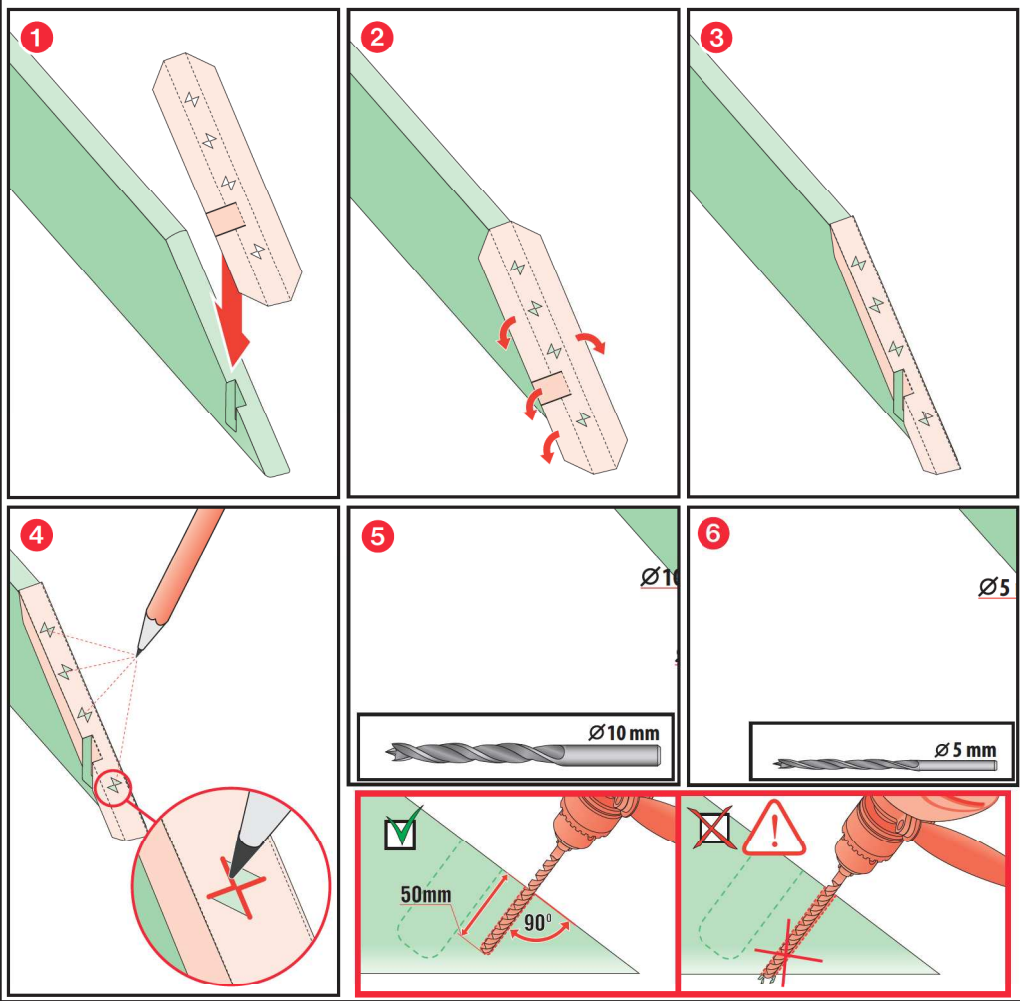
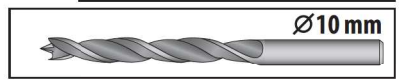
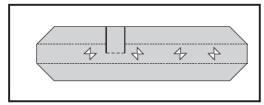
9





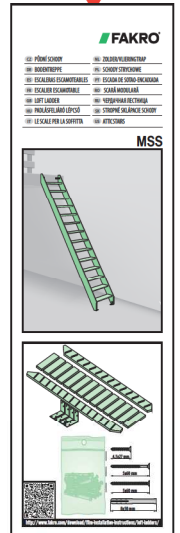
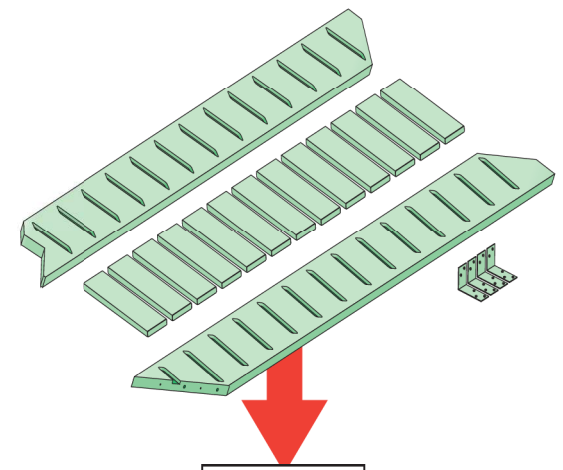
10

Ø10 mm
 Ø5 mm
 Ø10 mm
 Ø5 mm

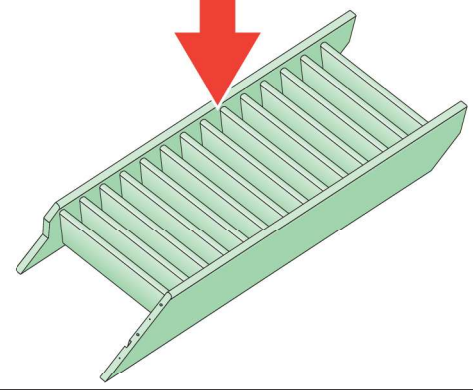


14

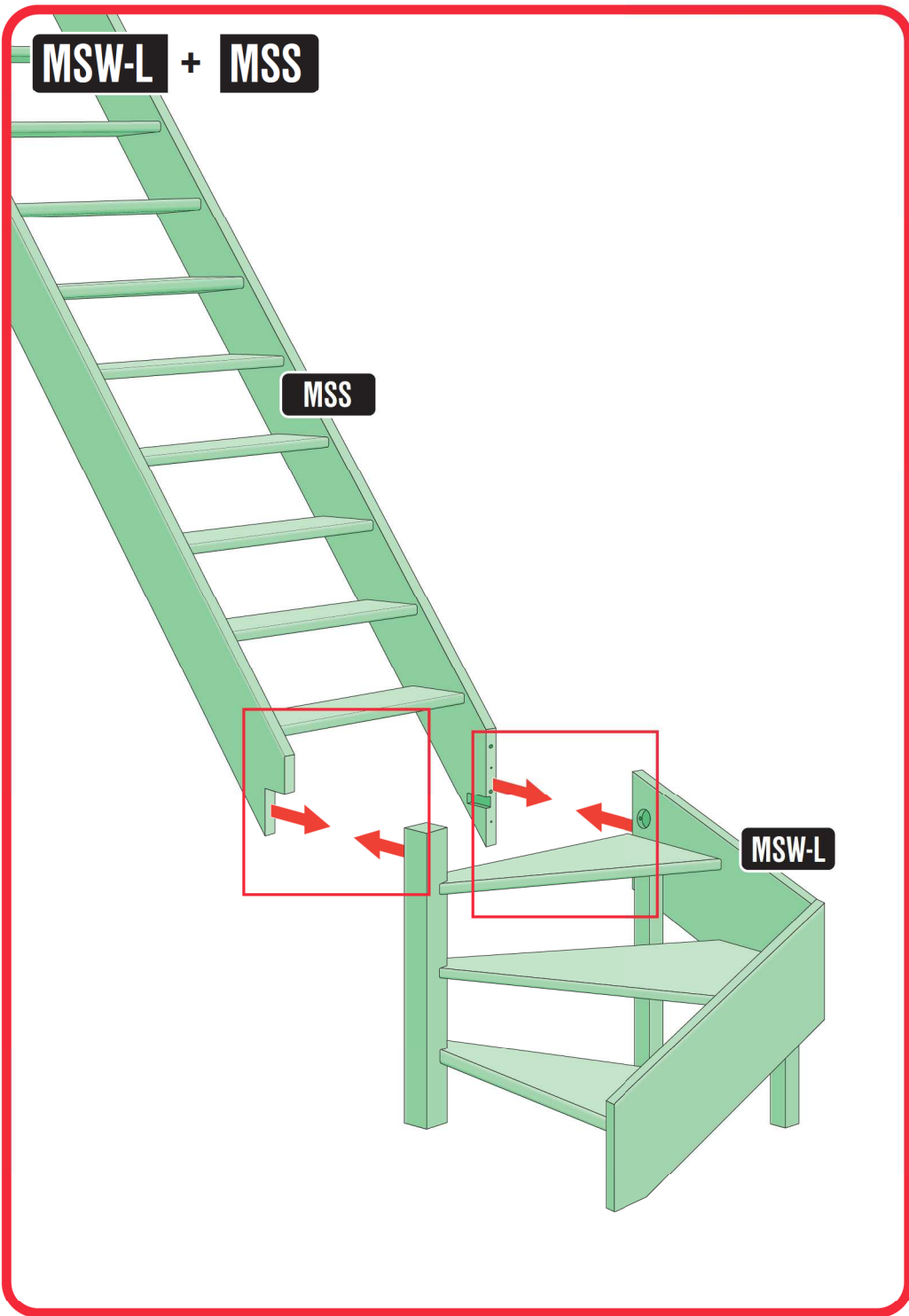
11



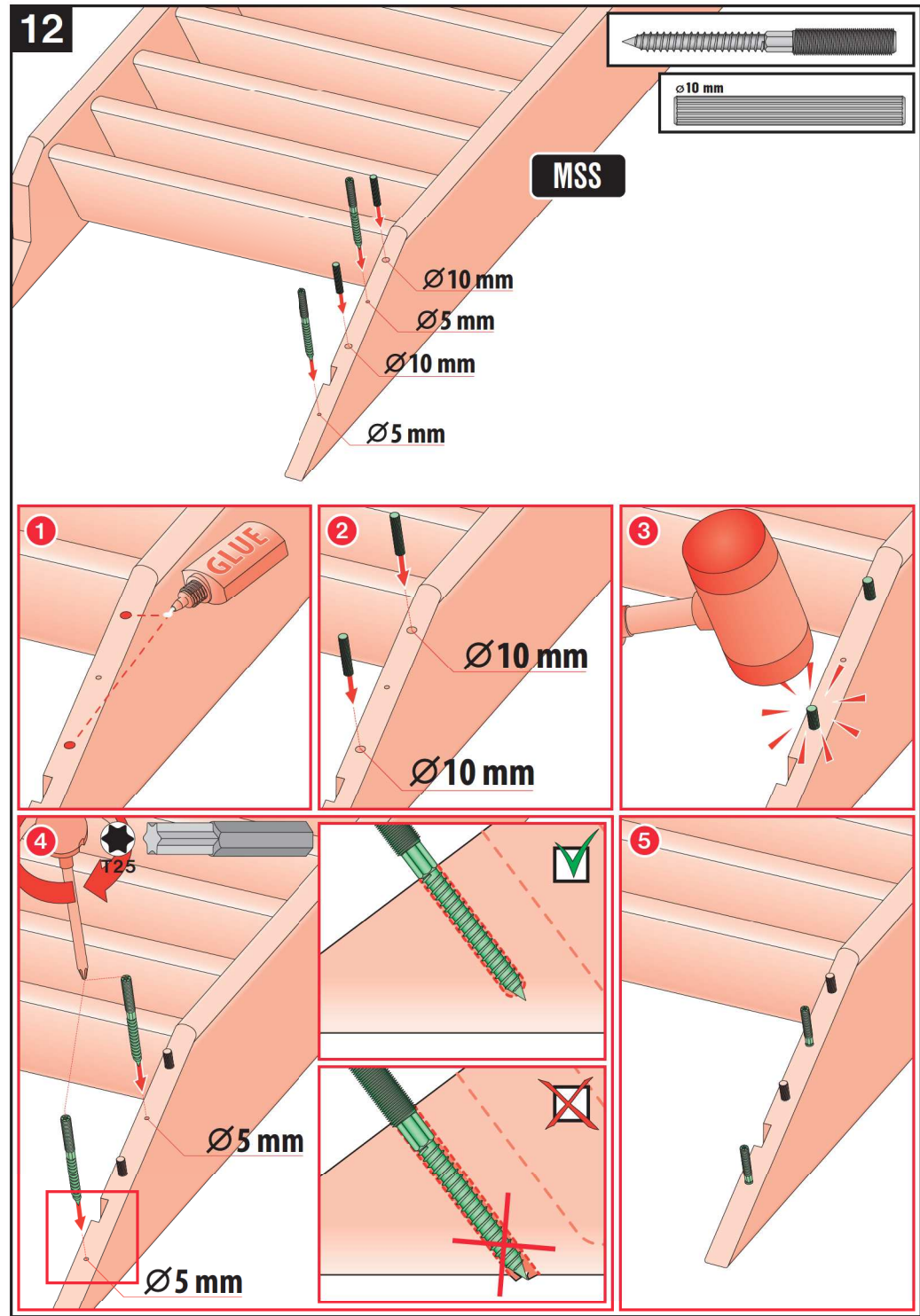
NC 9EJ



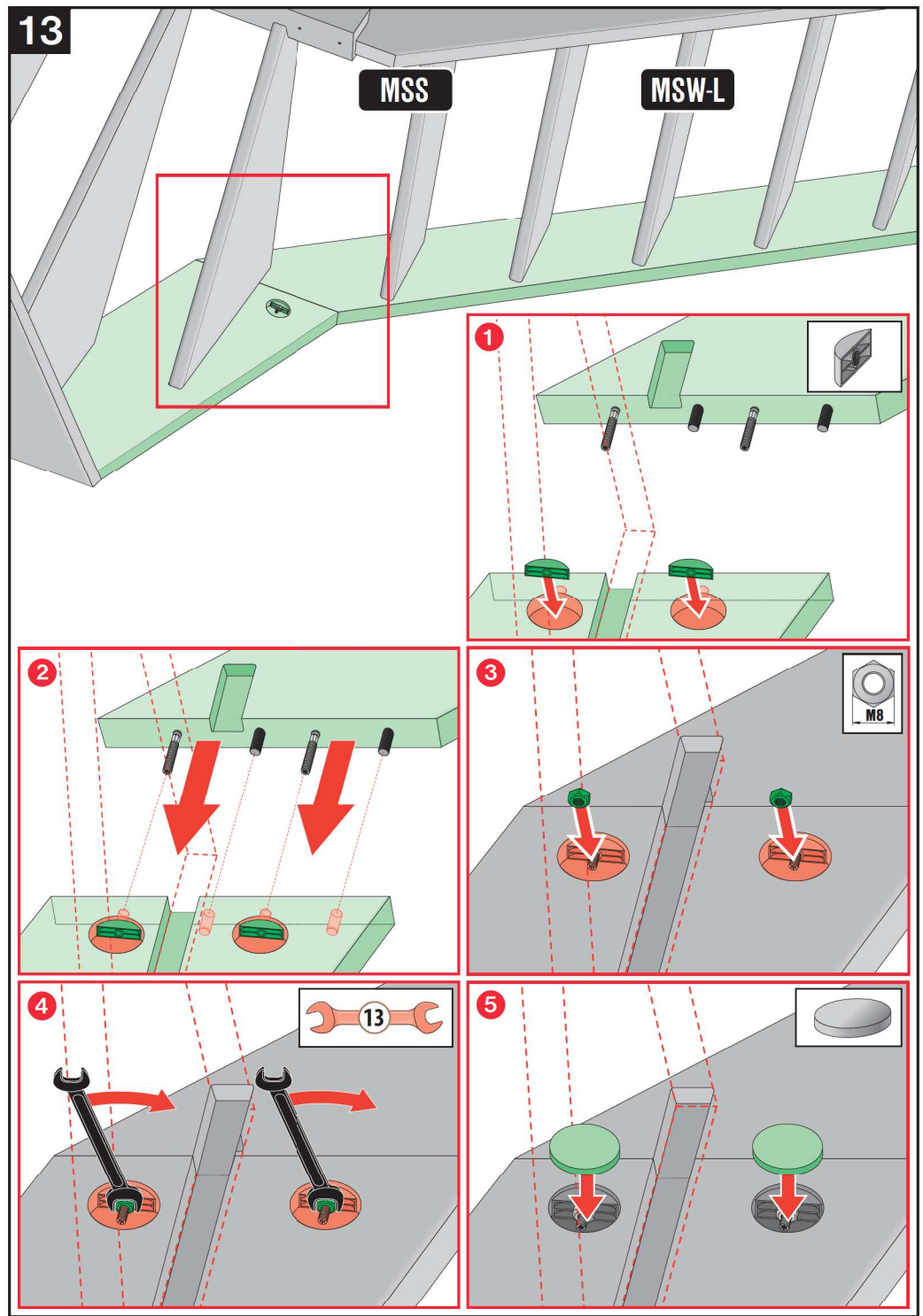
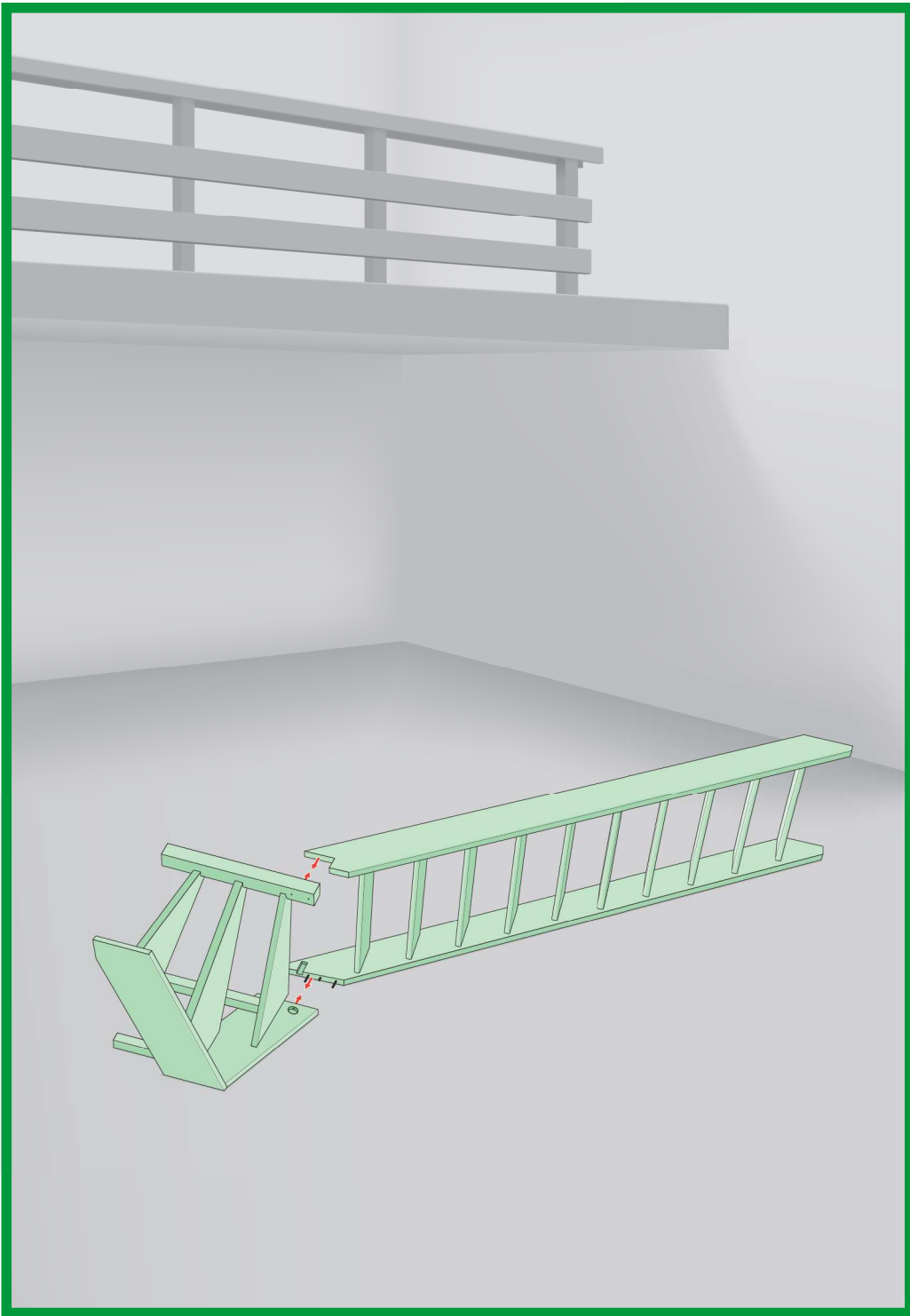
15



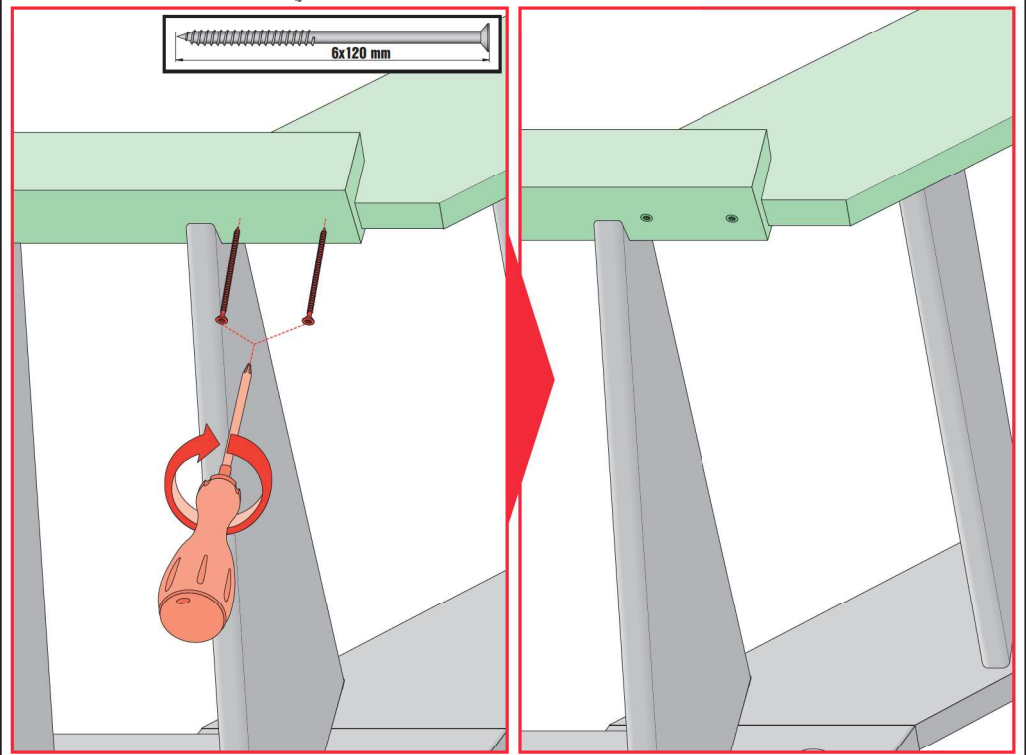
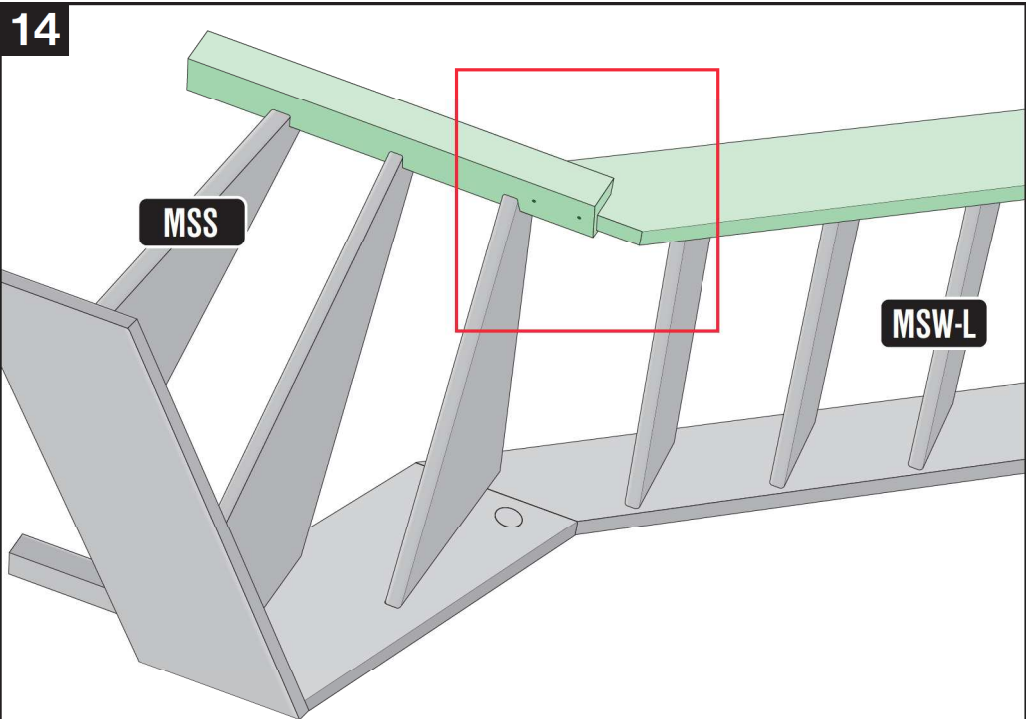
16



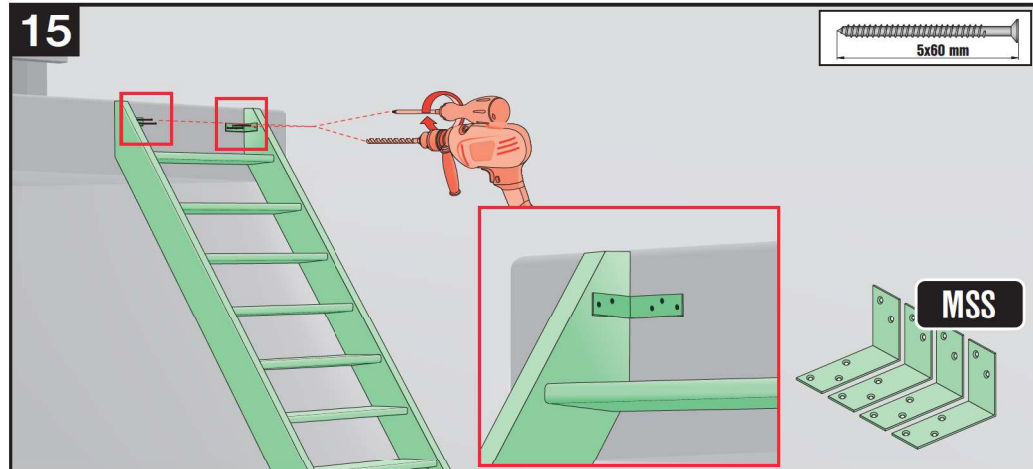
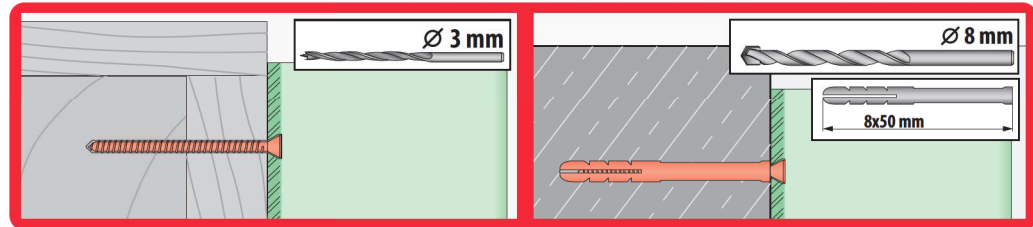
17



14



20



21

